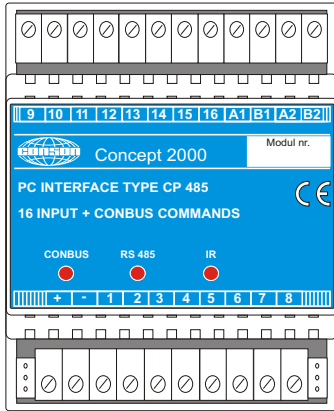


PC Interface/gateway module CP485

PC Interface/gateway module CP485



CP485 receive data on channel 1, terminals A1/B1
 CP485 transmit data on channel 2, terminals A2/B2

Protocol
 RS485 use a simple protocol based on pure ASCII, that means that the CP485 can be controlled by terminal programs and all computers with a RS485 port (com1). It is therefore possible to design own program to control CP485, the CP485 use a open protocol you can indent by your Conson dealer.

Software
 The operate program is a simple program for CP485, you don't need to make your own program. The operate software must be run by a LinuxWebServer.

PC Interface/gateway module CP485
 EAN-Nr. 5703513007959

Product description

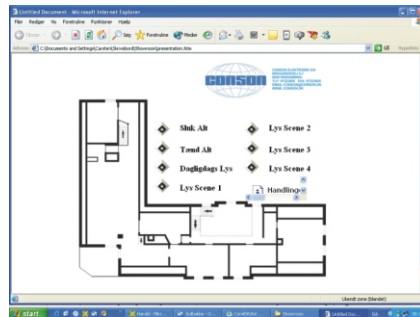
CP 485 Interface modul connect your Conson Concept 2000 system to your local area network (LAN), where different systems as Computers and PLC can be connected.

If the Lan are connected to the internet it is possible to control the Concept 2000 system from a homepage or E-mail from all over the world.

Module has a lot of facility like among other things.

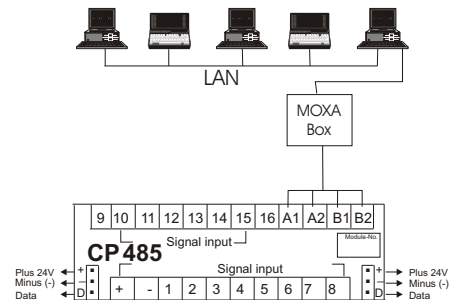
- 1 RS 485 serial interface
- 1 Bi-directional conbus interface
- 12/16 direct input
- 1 Bi-directional port for sensor modul
- 2 Thermistor inputs
- 1 build in thermistor
- 2 0-10V inputs

CP485 PC Interface/gateway is a 4 wire interface with 2 RS485 channel, 1 channel to transmit data and 1 channel to receivedata. Both channel use same protocol, baudrate and voltage



The operate program give you the opportunity to Create you own homepage from where you can control and watch the CP485.
 The system also give you the opportunity to integrate webcamera, witch give you a visual watch, when you not are home, webcamera is at the same time a Movement detector you can use for security, the system will send you a E-mail when there are uninvited peopel in your home, and you can open the webcamera to see who it is.
 The energysafe part of the program give you opportunity to se how long time your light have be switch on, this give you the possibility to se where it it possible to safe energy.

Terminal connection PC Interface



Terminals:

- | | |
|-------|---------------------|
| A1,A2 | Moxa inputchannel 1 |
| B1,B2 | Moxa inputchannel 2 |
| 1-12 | Signal input |
| 13-14 | Thermo input |
| 15/16 | 0-10V input |

Tecnical data Interface/gateway-Link CP485:

Low current

Voltage	24V DC (18-28V)
Current at 24 V DC.	30 mA
Power consumption at 24 V DC.	0,5 VA
Power consumption all inputs	0,5 mA

Mechanical data Interface/gateway-Link CP485

Temperature range	-5°.....+40°C
DIN-rail	DIN 46277
Dimensions (W x B x D)	85x70x72
Weight CP 485	100 g

