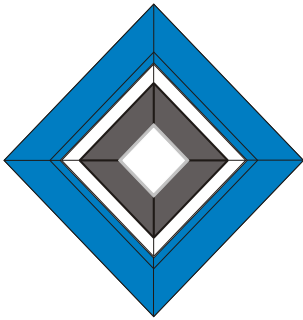


SESAM PUSH BUTTON TYPE CP2501

Push button panel CP2501



EAN-NR. 5703513012601
Frame is to be ordered separately.

Product description

CP2501 is a 24VDC noise free electronic push button panel with one LED backlit push button with features for external control of LED and night light and exchangeable color frames. CP2501 is an all-round panel, which can be used for most low-current systems, but designed for the Conson CONCEPT 2000 Module series.

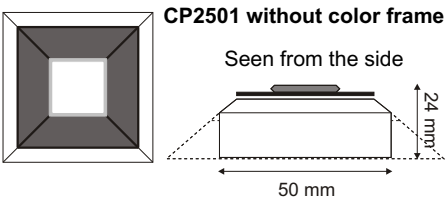


Installation guide

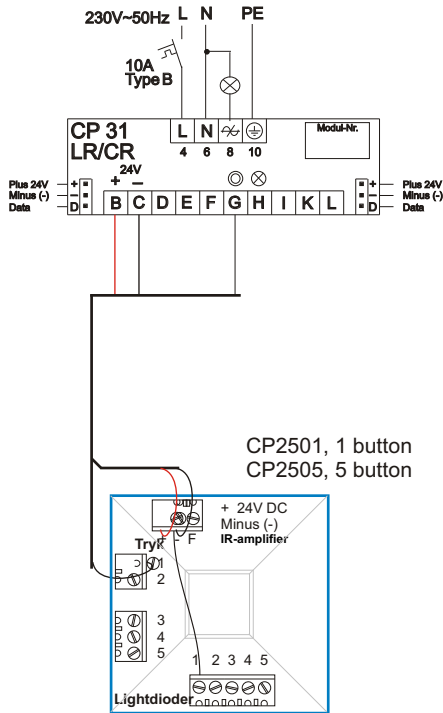
CP2501 can be mounted directly on a wall or on a green built-in box for 230VAC switch. CP2501 can be fitted into a LK-NES FUGA built-in box.

Regarding paint cover see the general

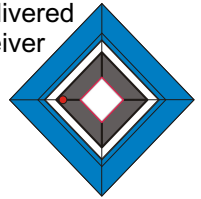
Seen from the front.



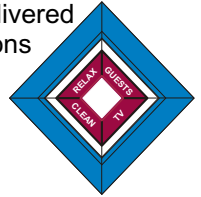
Connection of CP31LR, CP31CR and CP31BC



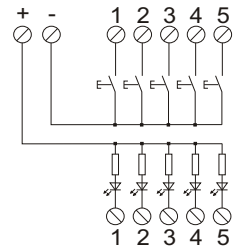
CP2501 can be delivered with built in IR-receiver and then called CP2502.



CP2501 can be delivered with five push buttons and hand-detector and the called CP2506.



PRINCIPEL WIRING



CP2501 is drawn placed horizontal.

Examples of use:

CP2501 is here mounted as push button for CP31 light dimmer. The push button controls the lamp on/off and light level up/down. LED 1 (center button) is connected to ground and is here by always on, which gives a nice searchlight that only will be visible at night.

Connection of CP2501:Terminal Description

+		+ 24VDC
-		- Minus 0VDC
1	⊙	Push button 1 (- Minus)
2	⊙	Push button 2 (- Minus)
3	⊙	Push button 3 (- Minus)
4	⊙	Push button 4 (- Minus)
5	⊙	Push button 5 (- Minus)
1	⊗	LED input 1 (- Minus)
2	⊗	LED input 2 (- Minus)
3	⊗	LED input 3 (- Minus)
4	⊗	LED input 4 (- Minus)
5	⊗	LED input 5 (- Minus)

Technical data CP2501

Voltage	24VDC
Max cable length (without shield)	100m
Dimensions (H x W x D)	
With frame	80x80x24mm
Without frame	50x50x24mm

