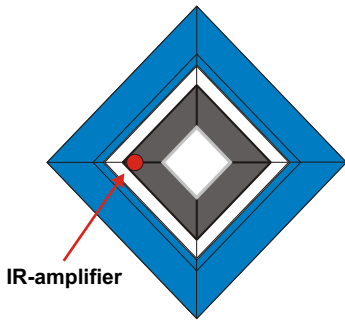


**SESAM PUSH BUTTON TYPE CP2502B**

**Push button panel CP2502B**



IR-amplifier

EAN-NR. 5703513012748  
Frame is to be ordered separately.

**Product description**

CP2502B is a 24VDC noise free electronic push button panel with one LED backlit push button with features for external control of LED and night light, exchangeable color frames and 455kHz IR-receiver. CP2502B is an all-round panel, which can be used for most low-current systems, but designed for the Conson CONCEPT 2000 Module series.

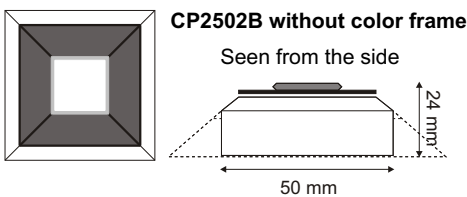


**Installation guide**

CP2502B can be mounted directly on a wall or on a green built-in box for 230VAC switch. CP2502B can be fitted into a LK-NES FUGA built-in box.

Regarding paint cover see the general introduction to Sesam panels.

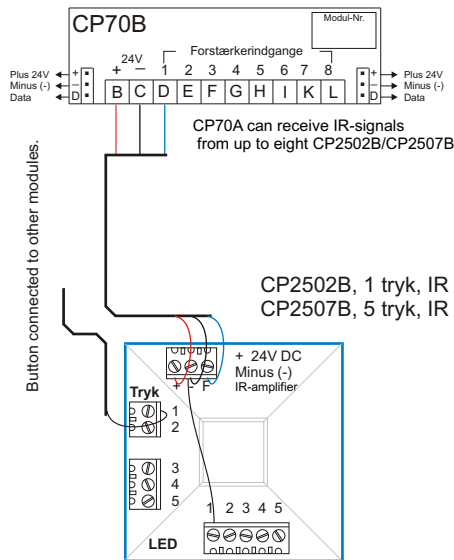
Seen from the front



CP2502B without color frame

Seen from the side

**Connection to IR-Link CP70B**

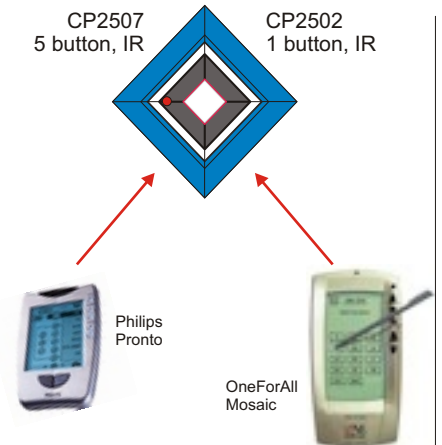


CP70A can receive IR-signals from up to eight CP2502B/CP2507B

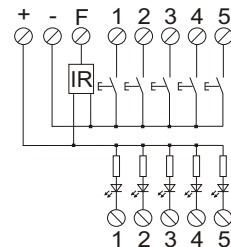
CP2502B, 1 tryk, IR  
CP2507B, 5 tryk, IR

Button connected to other modules.

CP2507 5 button, IR      CP2502 1 button, IR



**PRINCEPAL WIRING**



CP2502B is drawn placed horizontal

**Examples of use:**

CP2502B is here mounted as 455kHz IR-receiver for a CP70B IR-link. The push button and LED lights should be connected to other modules.

LED 1 (center button) is connected to ground and is here by always on, which gives a nice searchlight that only will be visible at night.

CP2502B can receive/demodulate 455kHz IR-signals and can be used with other products than the Conson CONCEPT 2000 system.

CP70B IR-link expects to receive codes from a B&O remote control.

**Connection of CP2502B: Terminal Description**

+	+ Plus 24VDC
-	- Minus 0VDC
F	455kHz IR-signal
1	Push button 1 (- Minus)
2	Push button 2 (- Minus)
3	Push button 3 (- Minus)
4	Push button 4 (- Minus)
5	Push button 5 (- Minus)
1	LED input 1 (- Minus)
2	LED input 2 (- Minus)
3	LED input 3 (- Minus)
4	LED input 4 (- Minus)

**Technical data CP2502B**

Voltage	24VDC
Max cable length (without shield)	100m
Dimensions (H x W x D)	
With frame	80x80x24mm
Without frame	50x50x24mm

