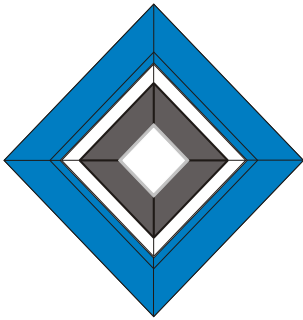


**SESAM PUSH BUTTON TYPE CP2505**

**Push button panel CP2505**



EAN-NR. 5703513013097  
Frame is to be ordered separately.

**Product description**

CP2505 is a 24VDC noise free electronic push button panel with 5 LED backlit push button with features for external control of LED and night light and exchangeable color frames. CP2505 is an all-round panel, which can be used for most low-current systems, but designed for the Conson CONCEPT 2000 Module series.

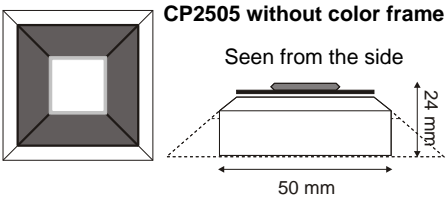


**Installation guide**

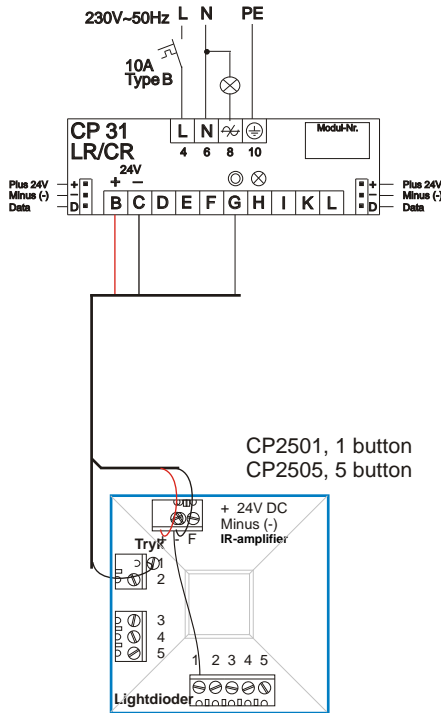
CP2505 can be mounted directly on a wall or on a green built-in box for 230VAC switch. CP2505 can be fitted into a LK-NES FUGA built-in box.

Regarding paint cover see the general

Seen from the front.



**Connection of CP31LR, CP31CR and CP31BC**

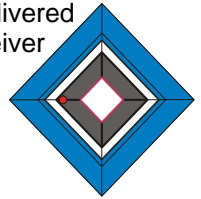


CP2505 is drawn placed horizontal.

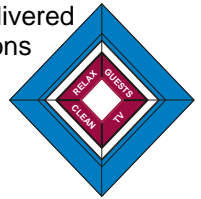
**Examples of use:**

CP2505 is here mounted as push button for a CP31 light dimmer. The push button controls the lamp on/off and light level up/down. LED 1 (center button) is connected to ground and is here by always on, which gives a nice searchlight that only will be visible at night.

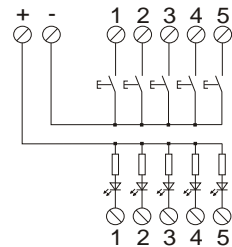
CP2505 can be delivered with built in IR-receiver and then called CP2507.



CP2505 can be delivered with five push buttons and hand-detector and the called CP2506.



**PRINCIPEL WIRING**



**Connection of CP2505:Terminal Description**

+		+ 24VDC
-		- Minus 0VDC
1	⊗	Push button 1 (- Minus)
2	⊗	Push button 2 (- Minus)
3	⊗	Push button 3 (- Minus)
4	⊗	Push button 4 (- Minus)
5	⊗	Push button 5 (- Minus)
1	⊗	LED input 1 (- Minus)
2	⊗	LED input 2 (- Minus)
3	⊗	LED input 3 (- Minus)
4	⊗	LED input 4 (- Minus)
5	⊗	LED input 5 (- Minus)

**Technical data CP2505**

Voltage	24VDC
Max cable length (without shield)	100m
Dimensions (H x W x D)	
With frame	80x80x24mm
Without frame	50x50x24mm

